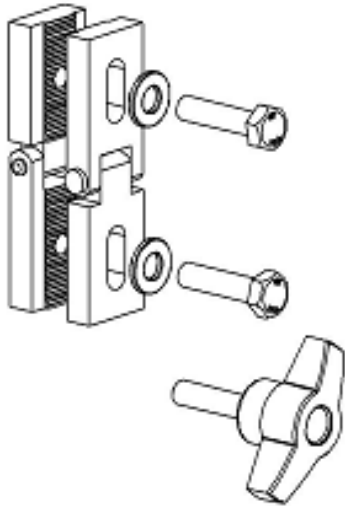
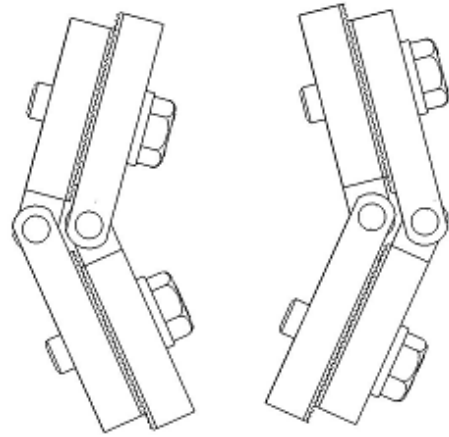


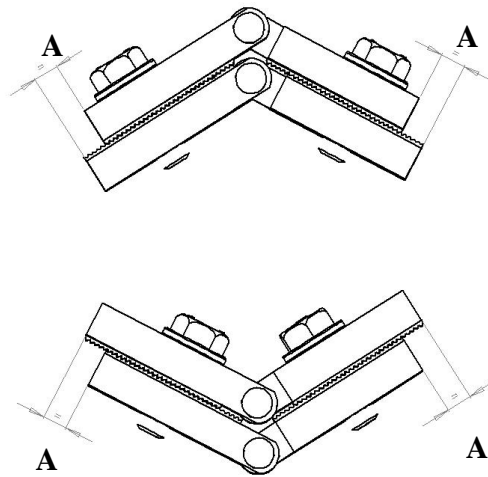
**Performance Health Products Ltd**  
**Technical support – V-Trak hardware**  
**V-Trak joining and adjustment hinge**  
**Controlled document – SH SD EXP**  
**Last updated 14/9/2011**



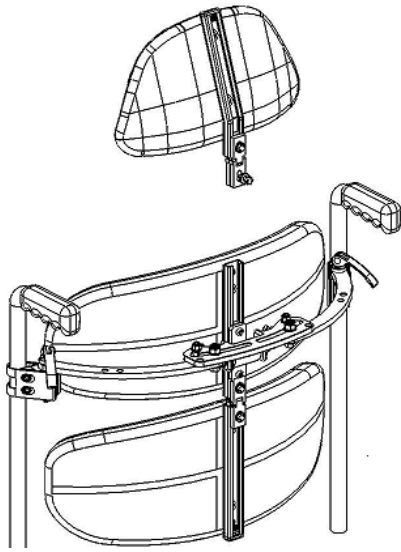
Exploded view of hinge with optional wing knob



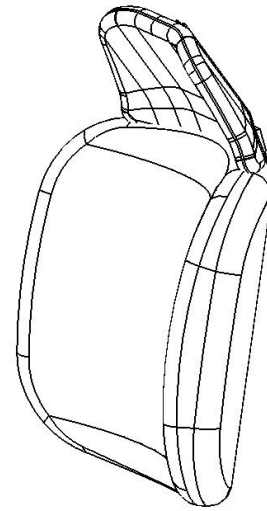
Typical range of movement



Overlap/Underlap "A" should be equal or nearly equal in final installation to ensure correct function



Use to attach backrest extension



Adjust angle of backrest extension



Use to join segments



Use to adjust angles between segments

**End of document**