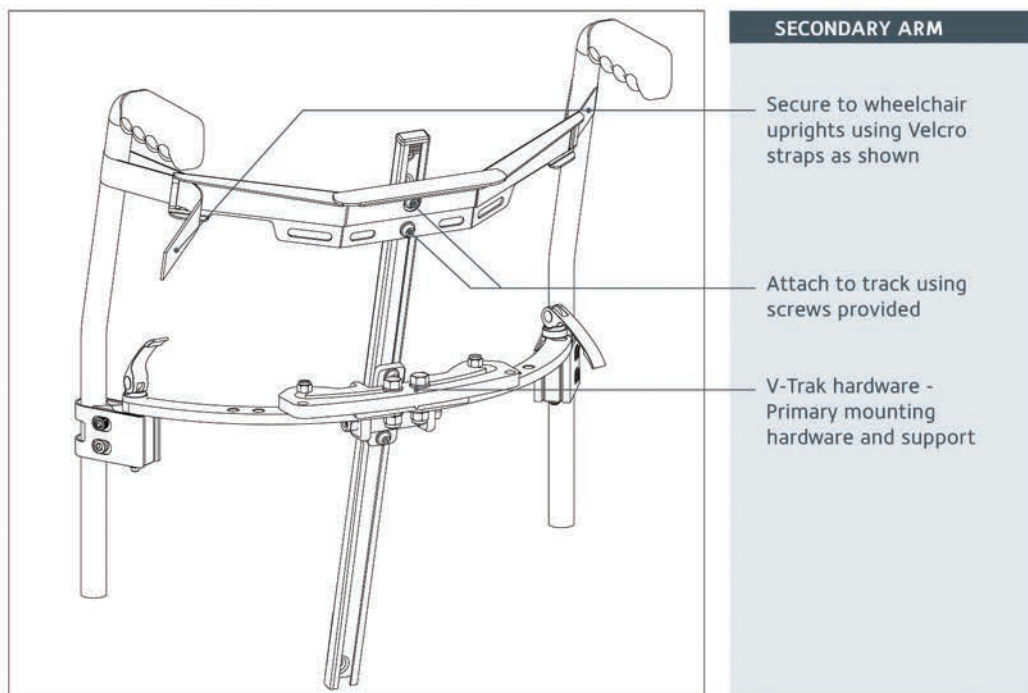


Secondary arm guidance



One piece backrest with secondary arm mounted at top or bottom to transfer rotational loads directly to the canes.

Secondary arm BMSAS, BMSAT

The secondary arms are designed to resist unwanted rotation of the backrest under abnormal loading by transferring the load directly to the wheelchair uprights. Such loading may be the result high body mass combined with behavioural loading such as spasms etc.

Supplied as a single unit, the arm fits directly into the track at the rear of the backrest. Attachment to the uprights is by means of straps which are secured with Velcro for easy release and removal of the backrest. Available in two widths; they can be mounted as shown or inverted when they can also serve as a mounting point for third-party harnesses using the attachment kit BM AHK.

PLEASE NOTE. The optimum location for the backrest pivot point and where the V-Trak hardware should be fitted will be approximately 60% of the distance from the bottom to the top of the backrest track (**Please see page 22 of the help manual for further guidance and weight recommendations for hardware placement**).

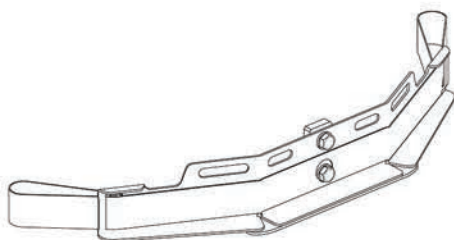
V-Trak System

Secondary arm guidance

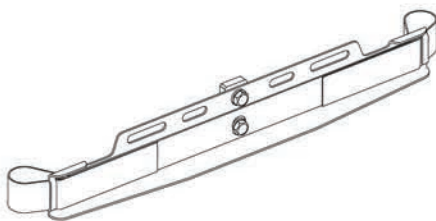
Secondary arm guidance *continued*

- 1 Each case will be different according to the client's body mass and likely behaviour and every effort should be made to balance the likely forces above and below the pivot point.
- 2 The secondary arm **should not** replace the hardware as the primary support arm and **should not** bear or support the greater forces.
- 3 The secondary arm should be placed at the top or bottom of the track (as shown Page1) to aid in transferring rotational forces to the canes.
- 4 A double hardware system is recommended for systems that will be under greater forces/weight and heavy behavioural loading (**Please see page 22 of the help manual for further guidance and weight recommendations for hardware placement**).

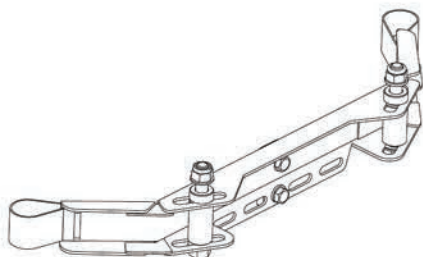
Secondary arm options



BMSAS



BMSSS



BMSAT

SECONDARY ARMS

15 inch (38cm) & 17 inch (43cm) arms available. Arms can be used as mounting points for harnesses and V-Trak original thoracic supports. 13" Paediatric BMSAT13 also available.

NOTICE

These guidelines are intended as a guide only and should not be used as a substitute for professional judgement, opinion or experience. Each installation will be unique and will require the issuer's assessment of any risk and its management.