



Order form

V-TRAK

Re-issue, Refurbishment and Replacement

DELIVERY ADDRESS

POST CODE.....

ORDER NUMBER :

DATE :

PHONE NUMBER :

E-MAIL:

NOTES:

INVOICE ADDRESS

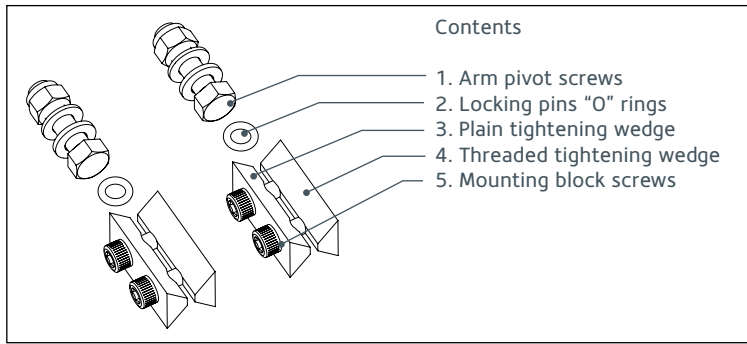
POST CODE.....

PLEASE NOTE :

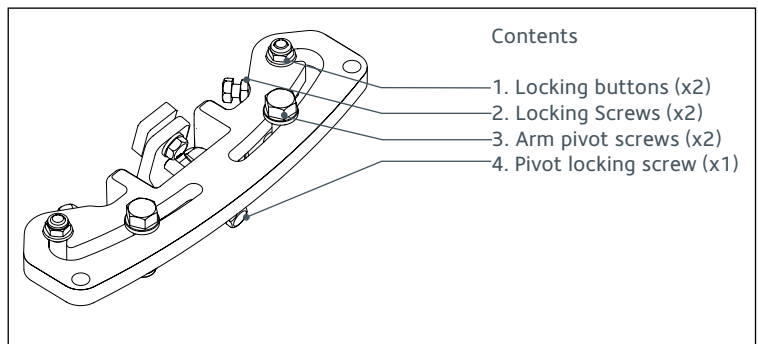
Offshore carriage charged at cost. VAT is chargeable on goods and carriage
Payment Terms: 30 days from date of invoice.

Due to our policy of continuous improvement specifications may change.

Hardware recycling kits



BM ARK - For Mounting Blocks & V-Trak arms



CMA SV - For Universal Central mount (CMU)

HARDWARE RECYCLING KITS -

| PRODUCT CODE | | Quantity |
|--------------|---|----------------------|
| CMA SV | For Universal Central mount (CMU) | <input type="text"/> |
| BM ARK | For Mounting blocks (MBR) & V-Trak arms | <input type="text"/> |

Backrest Refurbishment

Replacement STRAPS - for the Axxis range of backrests - Only available for AXXIS & Comfort Backrests

PRODUCT CODE

CS - (Backrest code) To order replacement Straps for a particular size backrest simply prefix the backrest code with CS e.g. CS-COL17

Replacement CLIP ON FOAMS - Available for all backrests (Evo, Comfort & Axxis) and backrest extensions

PRODUCT CODE

CF - (Backrest code) To order replacement Foam for a particular size backrest simply prefix the backrest code with CF e.g. CF-COL17

Replacement COVERS - Available for all backrests (Evo, Comfort & Axxis) and backrest extensions

PRODUCT CODE

CV - (Backrest code) To order replacement Cover for a particular size backrest simply prefix the backrest code with CV e.g. CV-COL17